

DIXIE-NARCO, INC.  
SERVICE BULLETIN #132

Date: 9/8/71

MODEL: HR-5

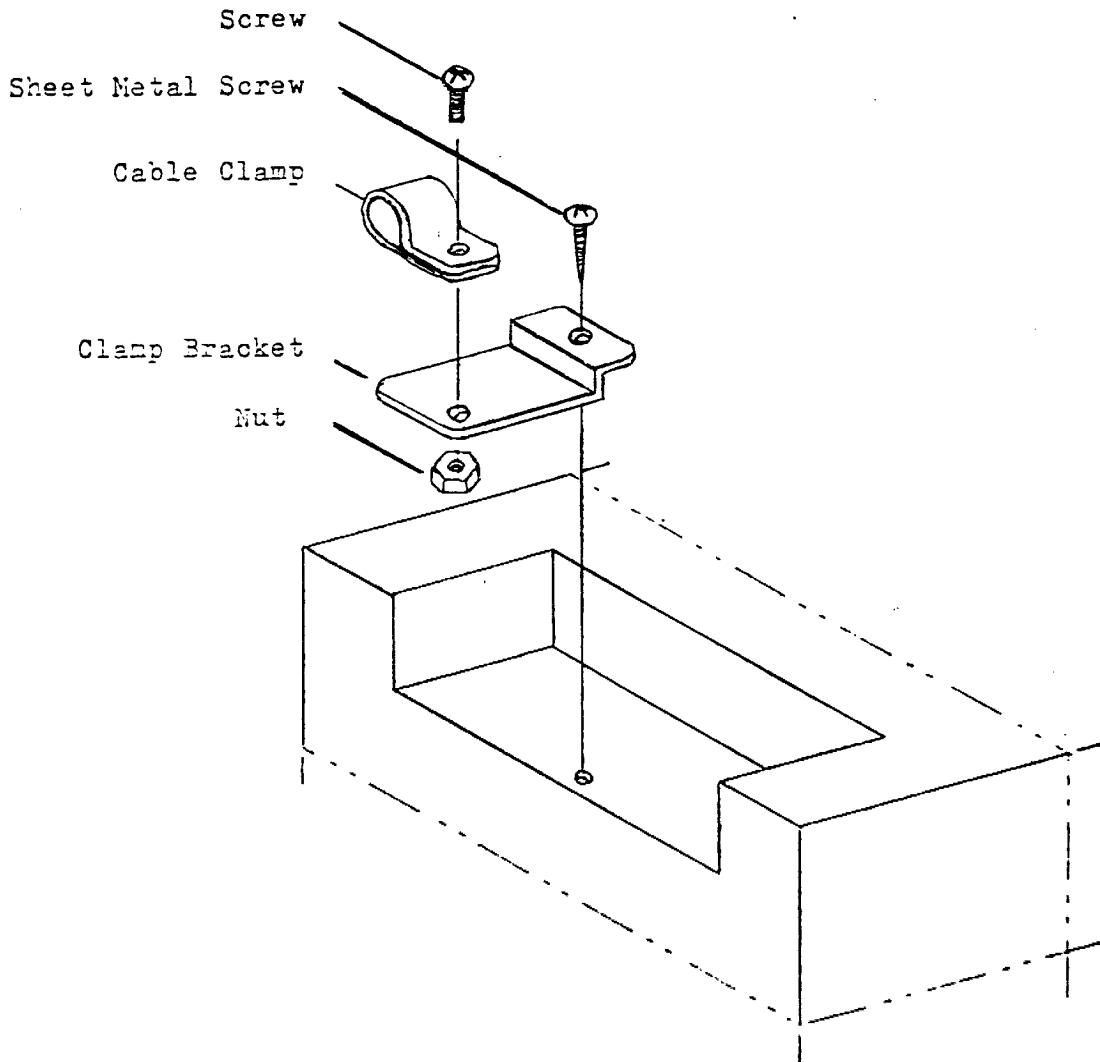
SUBJECT: Clamp Kit Installation

REASON: To provide a strain relief to prevent damaging product lines

ORDER AS: B/M139,010,700.04 Clamp Kit - Remote Bar Valve

- DO THIS:
1. Secure clamp bracket to front of machine with the sheet metal screw provided.
  2. Place the cable clamp around the bar valve lines.
  3. Secure the cable clamp to the clamp bracket with the machine screw and the Keps nut provided.

A5240.05



<u>KIT CONSISTS OF:</u>	1	2139,010,090.03	Clamp Bracket
	1	901,900,550.01	Cable Clamp
	1	900,901,890.02	Screw (#8-32 x 3/8 St. Stl.)
	1	900,800,500.01	Nut (#8-32)
	1	900,500,030.01	Screw, Sheet Metal (#8 x 3/8)